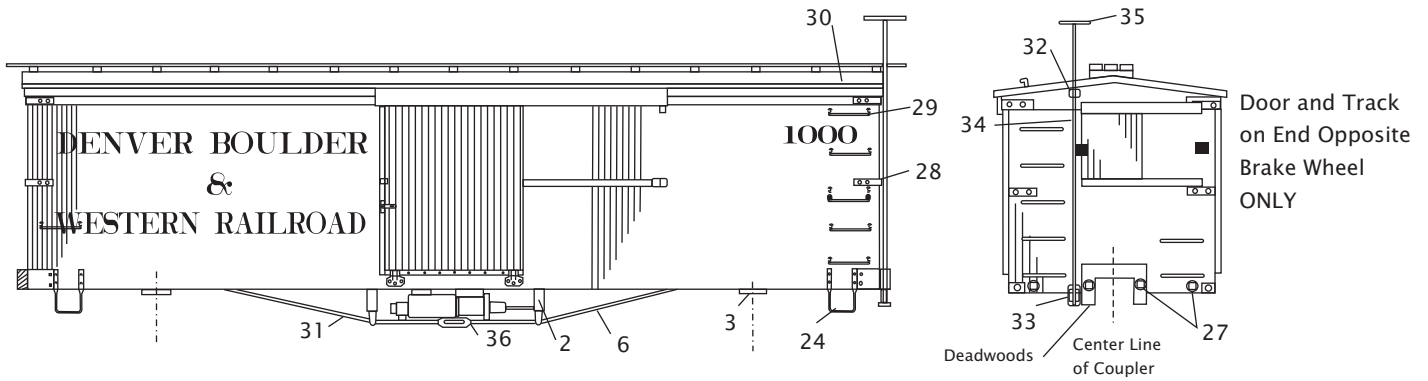


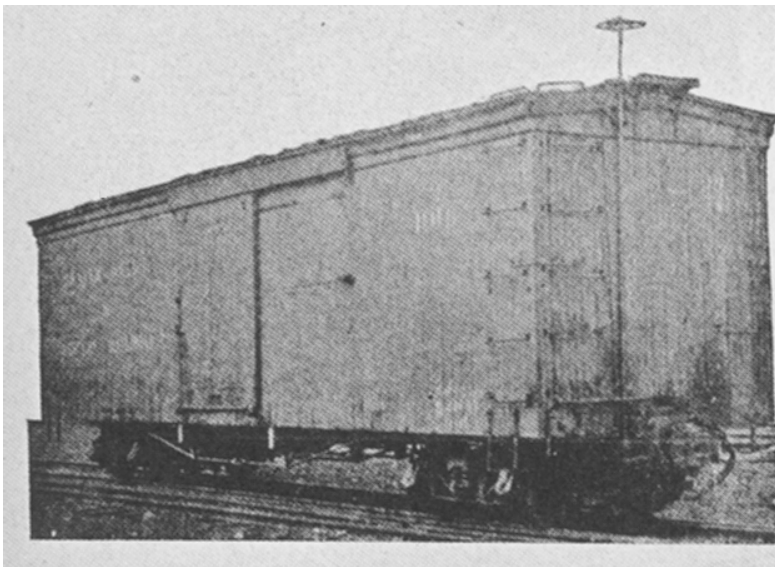
HON3-118 DENVER, BOULDER & WESTERN BOX CAR



We would like to thank you for purchasing this LaBelle kit. We believe that these are the finest kits of their type on the market today and we hope that you enjoy building it. These are considered to be "Craftsman" kits. Don't let that title scare you. This is a Craftsman kit because if you shake the box, all you do is break the parts, not assemble the model. If you can read and follow directions then you, too, can be a "Craftsman."



LaBelle Woodworking Company
 5101 Ridge Road
 Cheyenne, Wyoming 82009
 Phone :307-433-9909 Fax: 307-433-9949
 Toll Free: 866-246-9967 (Voice Only)
 e-mail: info@labellemodels.com



BOX CARS

Total number	23
Gauge	36"
Capacity	40,000 lbs.
Doors	Side
Inside Dimensions:	
Length	31' 6"
Width	6' 11"
Height	6' 5"
Outside Dimensions:	
Length	32' 3"
Width	7' 9"
Height from top of rail	10' 11"

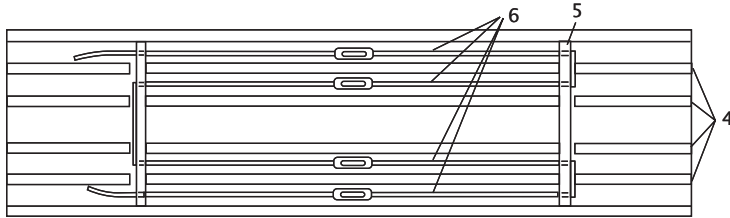
This Illustration from the Morse Brothers Catalog when they were scrapping the line and selling the equipment

Stripwood that is colored on one end is used in several different places. Be sure that you cut from the uncolored end of the wood to make your parts.

Stripwood colored on both ends can be cut from either end and is used for one particular part. It will be completely used in one assembly.

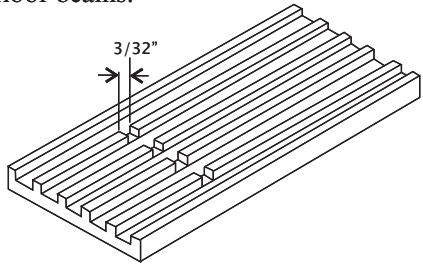
Only one end of the car is shown in the drawings. Please repeat each step on the opposite end of the car unless otherwise noted.

Lay out Floor (1) for Queenposts (2) and Bolsters (3) per Detail "A"

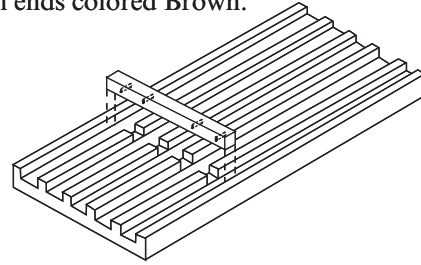


Detail "A"
-Not to Scale-

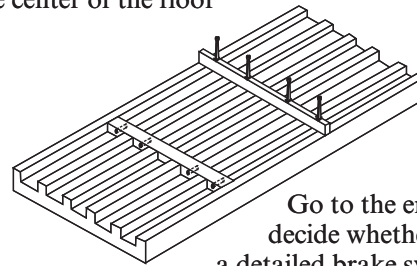
Carefully notch beams at bolster centers $3/32$ " wide to receive Truss Rod Filler Pieces (5) as per Detail "A". Be careful and do not notch the outside floor beams.



Cut Truss Rod Filler Pieces to fit Between beams from Stripwood with both ends colored Brown.



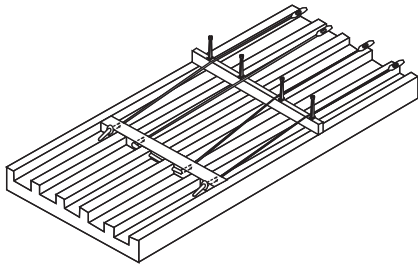
Locate Centers on Truss Rod Filler Pieces and drill $1/64$ " holes at the proper intervals to accept the nylon truss rod. Cement in floor, making sure that they are tight against the notch that you cut, toward the center of the floor



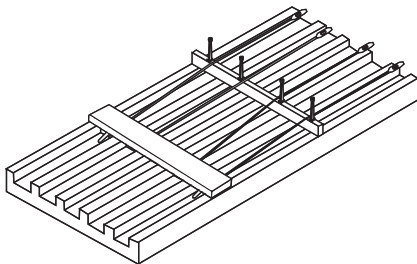
Go to the end of these instructions and decide whether or not you wish to install a detailed brake system. If you do, then place the queenposts as shown. If not then Cement Queenposts in place.

1	2
3	4

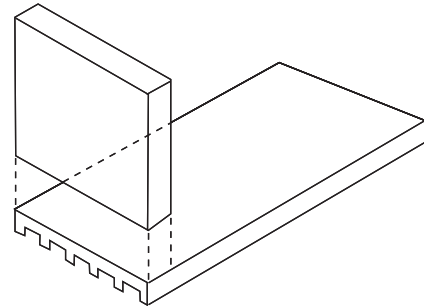
String the Nylon Truss Rod (6) through the filler pieces, keeping them taut over the Queenpost Needle Beams. String the turnbuckle castings on the truss rod nylon between the Needle Beams (see the side view on page 1) and fasten the ends of the nylon Truss Rods.



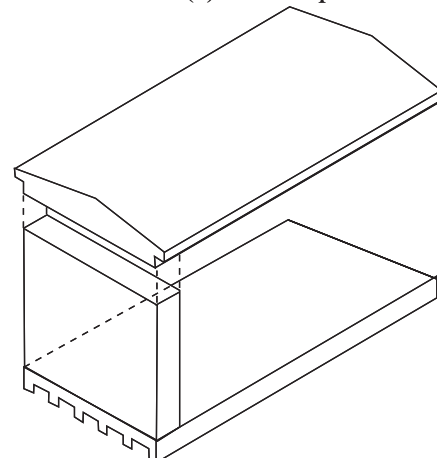
Cement the Bolsters in Place



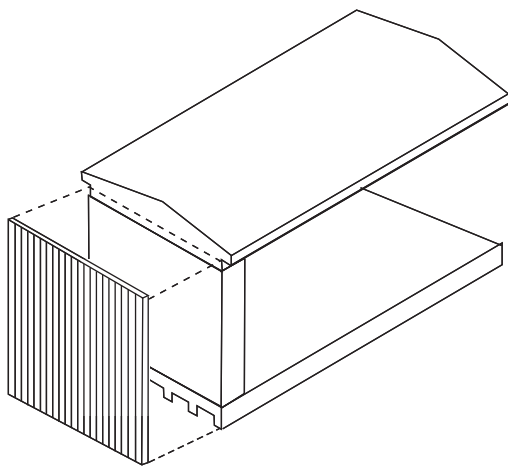
Cement the End Blocks to the Floor, making sure that they are flush with the ends and sides of the Floor.



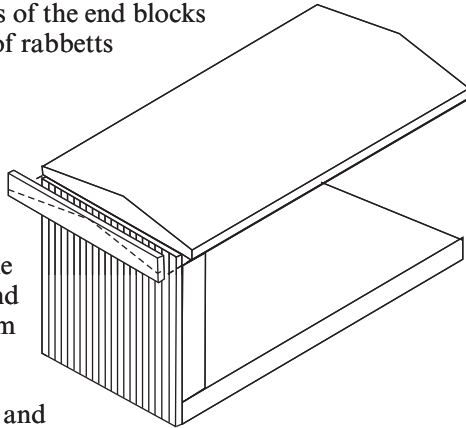
Cement the Roof Block (8) to the top of the end blocks



2

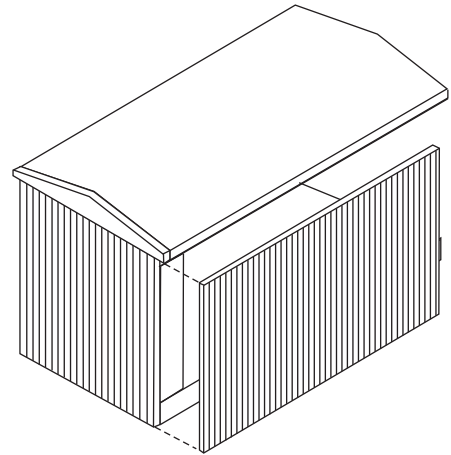


Cement End Wall Scribed Siding (9) in place, making sure that they are flush with the edges of the end blocks and in line with the roof rabbetts



Cut and cement on the end of the roof the End Letterboards (11) from Stripwood with one end colored Yellow. Trim off excess wood and sand it flush with the roof pitch.

If you wish to place extra weight in your model, do it now, before gluing the door and sides in place.

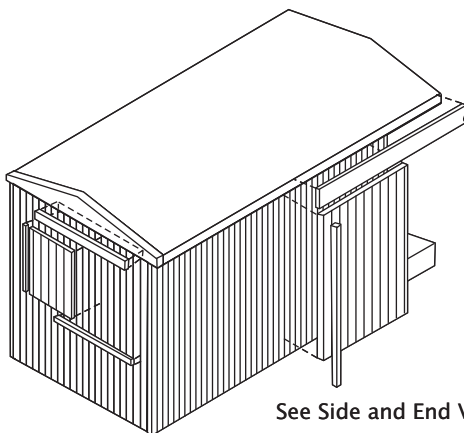


Cement Scribed Siding (13) in place on the sides of the car, making sure that joints are within the Side Door Area (so they don't show). If you wish to model an open door, now is the time to cut out the door opening. Sand the scribed siding flush with the ends of the car and the bottom of the floor.

5 6
7 8

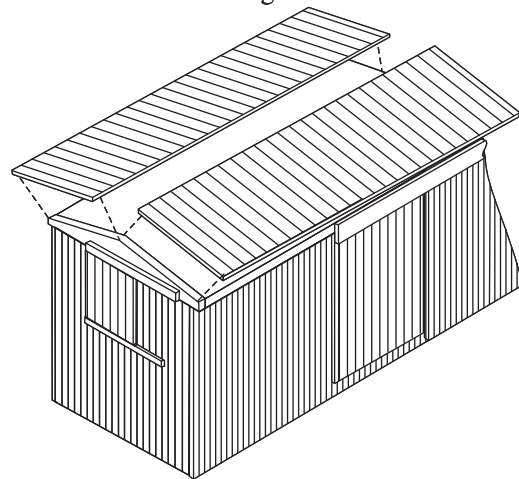
Cut the small end door to length using the end view on page 1 from the long narrow scribed piece. These cars had a door on one end only, opposite the brake wheel. Cut and cement in place the End Door track (15) from Stripwood End colored Red and (15) Stripwood End colored Blue. Cement in place the End Door stop from Stripwood End Colored Green.

Check all scribed Roof pieces for thickness at the joints. This can be done by placing edges together and testing for thickness. Carefully sand the backside of the pieces which are too thick. Cement the Roof pieces in place, making sure that sufficient overhang is obtained at both ends of the roof.



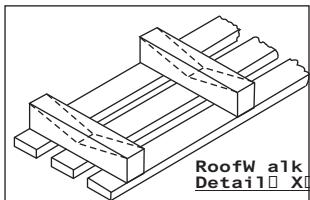
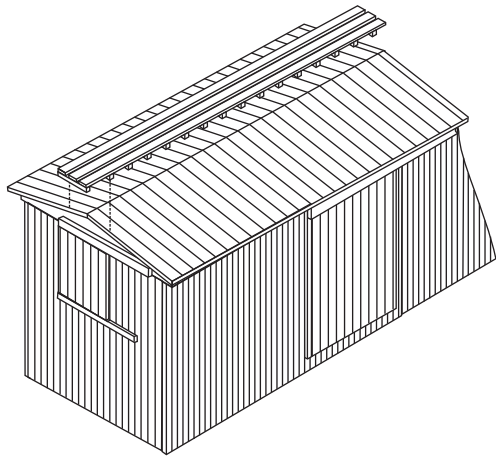
See Side and End View, also, For Positioning of Doors

Cement the side doors in place (17), which are pre-cut to size, making sure that they are underneath the roof overhang. Now sand the roof flush with the face of the doors. Cut and Cement in place the door stops which are Colored dark Green. Cut and Cement in place the door tracks, which are Colored light Green. Sand the door tracks flush with the pitch of the roof.

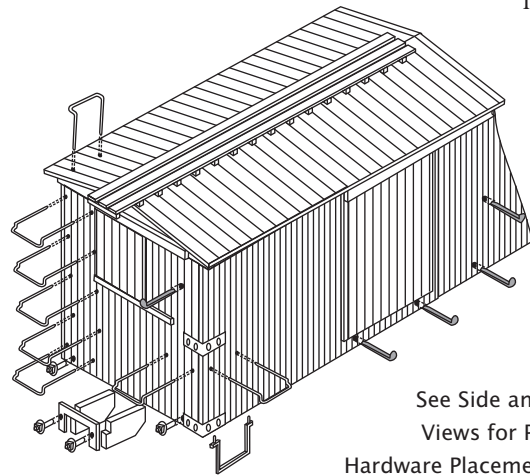


Sand the edges and the ends of the scribed roof until the correct overhang is obtained.

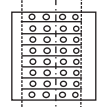
Make up the roofwalk (22) from stripwood, end colored brown, and stripwood, end colored Red, for the cross supports. See also Detail "X" on this page.



Drill holes and install plastic stirrup steps (24). Drill holes and install plastic Nut, Bolt and Washer castings (27). Separate corner straps (28) from strip by cutting close to the outside rivets. (See diagram below). Bend and Cement in place.

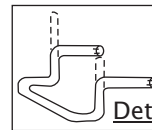


Bend 90 degrees in the middle



Cut as shown on dotted lines

See Side and End Views for Proper Hardware Placement for your particular Car.



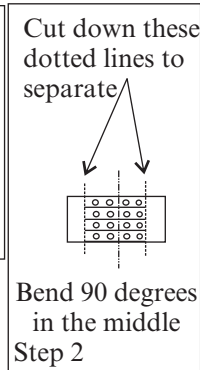
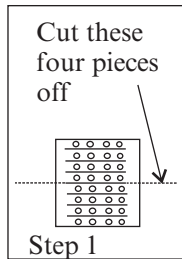
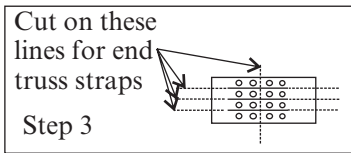
Bend to this shape for side hand grabs
Detail Z - Side Grabirons

Side Grabirons (30) should be bent to shape as per Detail "Z". Drill holes and cement in place grabirons (29). Drill holes and cement in place all Door Stops and Guides (31) (Trackspikes).

9 10
11 12

The end truss for these did not go through the body but from end to end, attaching to the corner straps.

There is also a simple way to do this. First, cut the corner straps differently than first shown, in this manner:

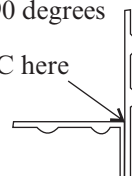


From the pieces in Step 3, crimp one piece 90 degrees as shown.



Solder or ACC here

Place the other piece next to it as shown:



Now trim to the proper length (eyeball it) and drill a hole to accept the fine brass wire provided.



Repeat this step three more times and mount these in the mid car as shown on the following illustration. Install the end trusses as shown. On the prototype these trusses were tightened using a nut and washer. This detail is up to you

4

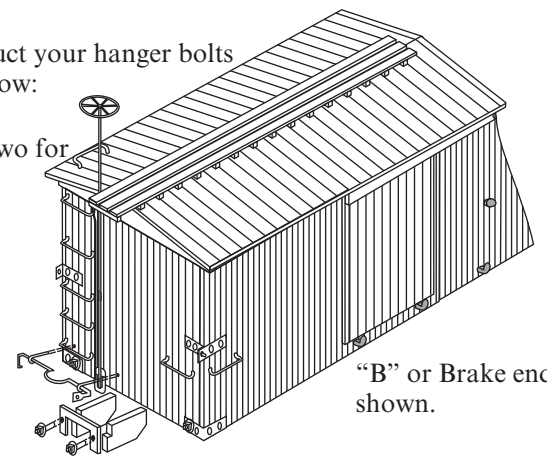
Now that the end trusses are installed there is one thing left. The uncoupling bars, of course.

Photos of the DB&W cars show the uncoupling bars.

First, construct your hanger bolts as shown below:

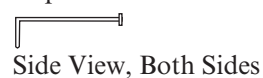
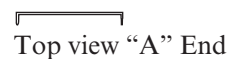


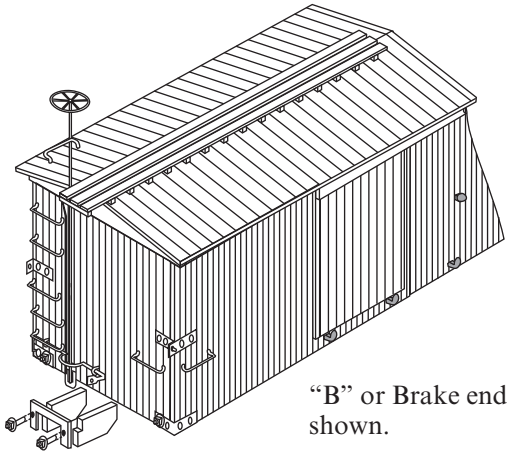
Make four, two for each end.



"B" or Brake end shown.

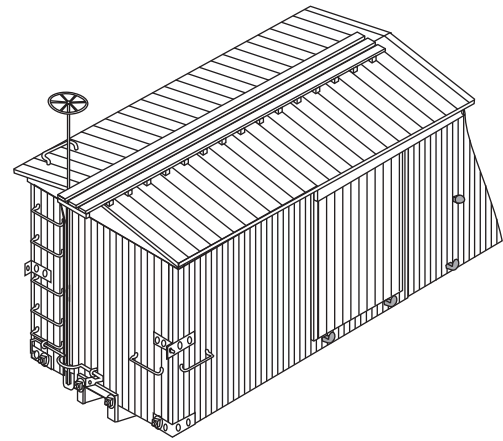
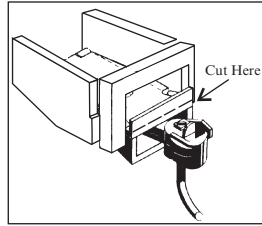
Make Uncoupling Bars like this (HO Scale)



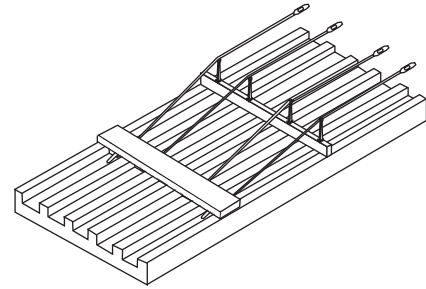


"B" or Brake end shown.

Test fit the couplers for height using the trucks of your choice. After fitting, test deadwoods for height. Install deadwoods around the Kadee 714 coupler box, trimming the top of the coupler box flush and hiding the cut portion slightly within the deadwoods. Trim and place the end coupler beams parallel, on either side of the coupler box. Test the box for truck swing and trim away the box until the truck swing is sufficient for your layout. Drill deadwoods and install Nut, Bolt and Washer castings as shown on the end view.



Carefully lift Nylon Truss Rods into the notches in the Queenposts.



13 14

15 16

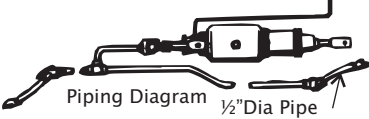
Install the underbody brake system as per detail "Y". Drill and install Top(32) and Bottom (33) Brake Staff Brackets. Install the Brake Staff (34) and Brake Wheel (35)

Westinghouse "K" Brake Set.

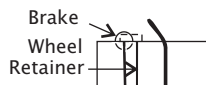
All of the basic castings are on the sprue shown below and used LaBelle Freight car kits. Wire for the Piping and Brake Rods is also included.



Near No. 12

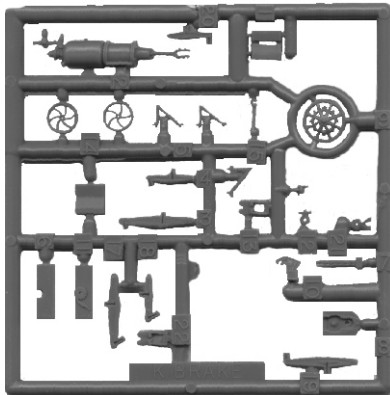


Piping Diagram 1/2" Dia Pipe



For the Brake Levers, use the Best combination of Parts 3, 4, 17, 18, 19 or 20.

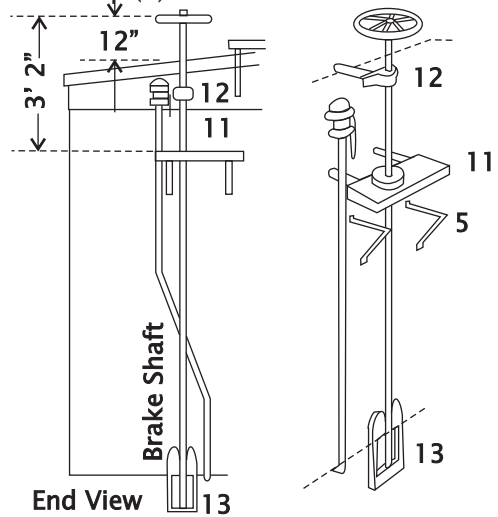
Brake Cyl



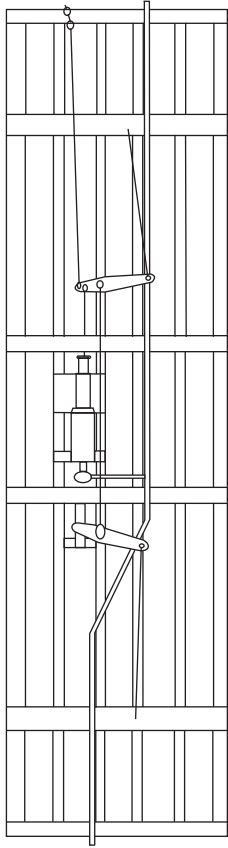
Underside of Standard Car

BRAKEWHEEL

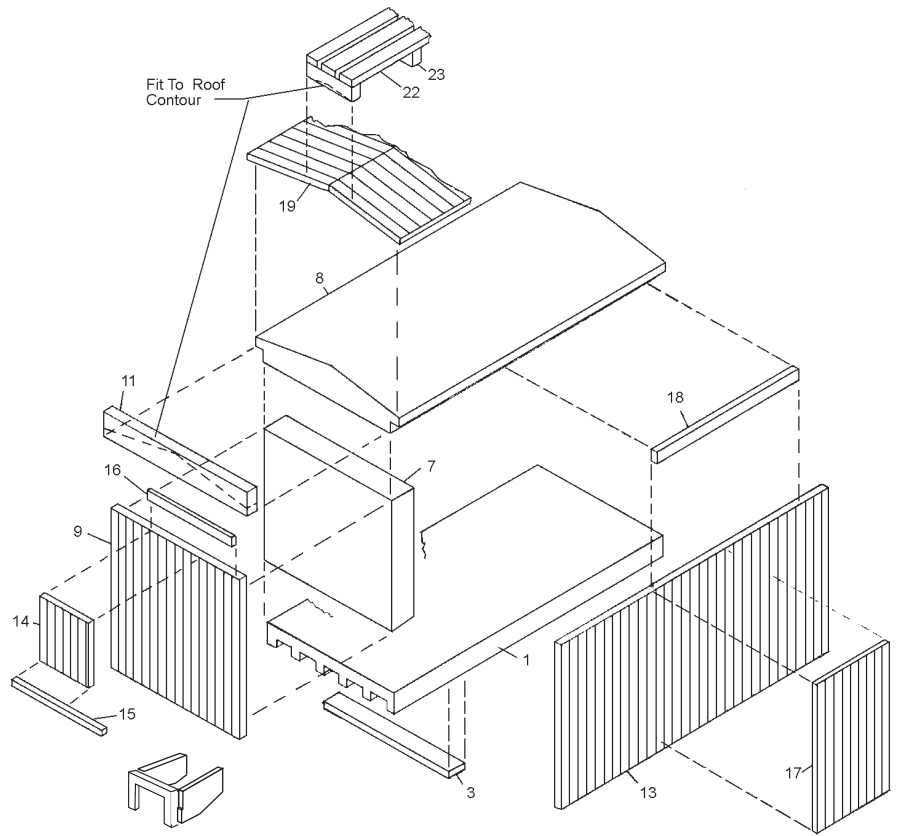
The length of the brake wheel shaft depends on the height of the car. It should project 12" above the roof of the car of 3' 2" above the ratchet step (6).



End View 13



Detail "Y"



Isometric Drawing for LaBelle HO n 3 32' Box Cars.

Your car is now ready for painting: Entire Car, Box Car Red.

The numbering on these cars was 1000-1029

The proper prototype trucks for this car are a diamond arch bar

If You've gotten this far in your kit building, you can now call yourself a "Craftsman" modeler.

Congratulations!



LaBelle Woodworking Company
 5101 Ridge Road
 Cheyenne, Wyoming 82009
 Phone :307-433-9909 Fax: 307-433-9949
 Toll Free: 866-246-9967 (Voice Only)
 e-mail: info@labellemodels.com